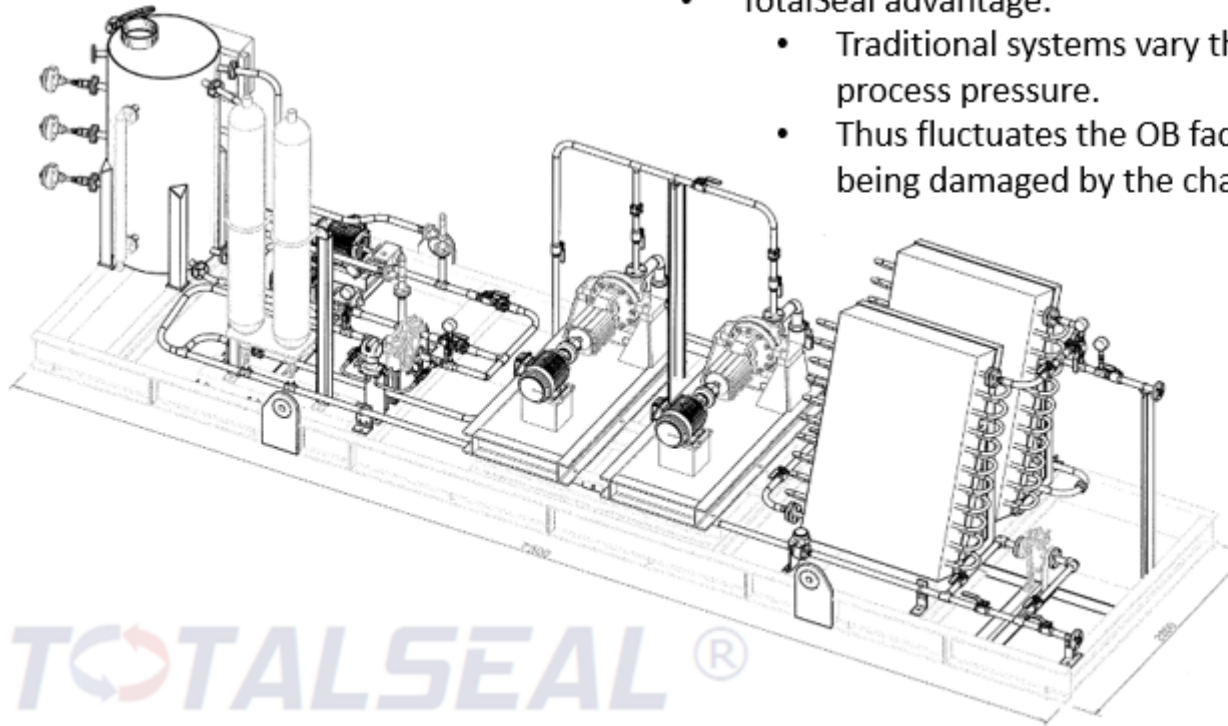


Flush Support Skids

TOTALSEAL® custom designs support systems to suit the plant design rather than offer a catalogue design.

Our custom designed Flush Support Skids:

- Allows a higher volume capacity.
- The increased flush water serves to better cool the seal shaft.
- This prevents product scaling in the lower part of the seal.
- Keeps a constant barrier pressure.
- System keeps this pressure on the OB faces constant.
- TotalSeal advantage:
 - Traditional systems vary the pressure of the barrier according to the process pressure.
 - Thus fluctuates the OB face pressure resulting in seal outboard faces being damaged by the changes in pressure.



TOTALSEAL®